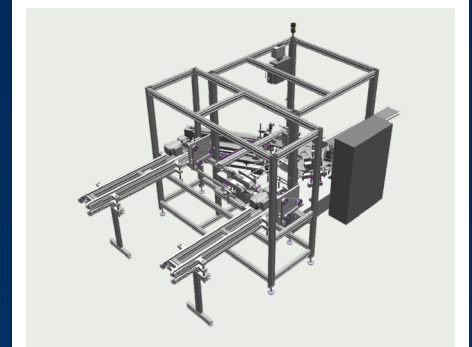
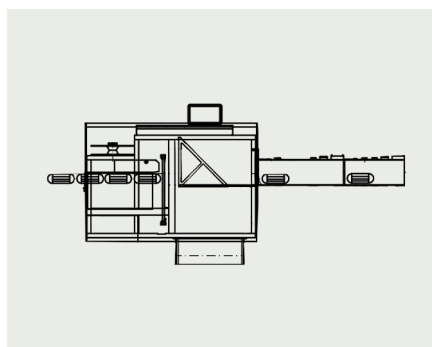




# OPTIONAL PACKAGING SOLUTIONS FOR FACE MASKS



**PAGE 2-3**

**SEMI-AUTOMATIC  
FOIL PACKAGING**

**PAGE 4-5**

**AUTOMATIC  
FOIL PACKAGING**

**PAGE 6-7**

**AUTOMATIC  
FOLDING BOX  
PACKAGING**

Technical changes are reserved, dimensions and illustrations are subject to change.

[info@piagroup.com](mailto:info@piagroup.com)

05/2020 V1.0 © PIA Automation

**WE AUTOMATE  
YOUR WORLD**



[WWW.PIAGROUP.COM](http://WWW.PIAGROUP.COM)



## TECHNICAL DATASHEET

# SEMIAUTOMATIC FOIL PACKAGING FOR FACE MASKS

The tubular film gets first a bottom seam and a perforation. Afterwards the opening will be established by an air blast, the bag is held by two fixing clips and a spread unit establishes the simple insertion by wide the opening. After insertion of the masks, the air in the bag reduced by a foam plate and the bag is welded and cut. The finished bag is falling down in e.g. in a box. The next bag is prepared and brought into filling position.

## TECHNICAL DATAS

- Packaging speed for the machine up to 15 bags / minute with tubular film
- Insert opening: 400mm width x 125 mm
- Foil material/thickness: PE, OPP, 40 – 200 µm
- Max. diameter foil roll: 300 mm
- Max. foil width: 400 mm

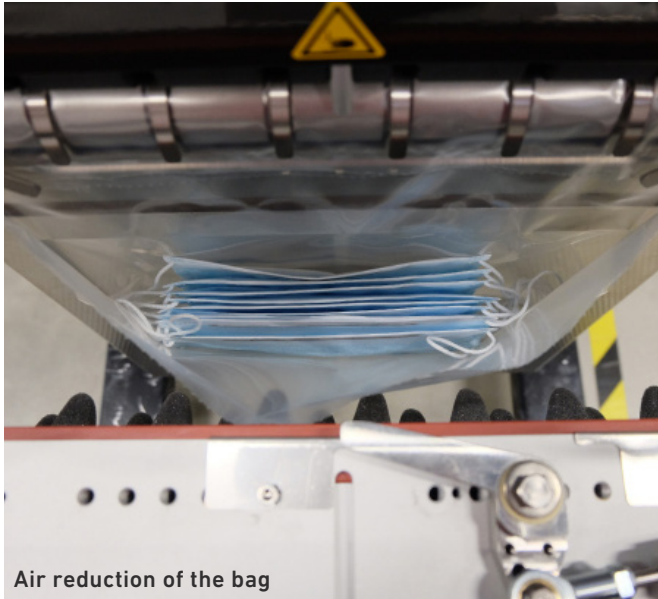
## CONNECTIONS

- Copressed air: 7 bar, 400-600 NI/min
- Electrical. connection: 230 V, 50/60 Hz
- Dimensions: (lxwxh): 1,221 x 845 x 1,065 mm (incl. roll)

## PROCESSES AND FUNCTIONS

- Handling of bags from the roll and standard tubular film
- Ceramic welding elements for exact temperature control and quick readiness to work
- Solid machine frame on rolls for flexible use
- Standard working height: 875 mm
- User-friendly 7 inch touch screen
- 20 programs storable
- Error diagnosis system
- Data backup via USB stick
- Counter
- Manual operation
- Welding and cooling time adjustable
- Adjustable bag length (with tubular film)
- Welding bar opening adjustable
- Simple roll changing system incl. foil guiding
- Adjustable air blast for opening the bag
- Bag spreading for better insertion accessibility
- Digital welding temperature control
- Fixing clips for stable welding seam and robust insertion
- CE certified

# TECHNICAL SPECIFICATION SEMI-AUTOMATIC FOIL PACKAGING FOR FACE MASKS



Air reduction of the bag



Bag spreader for better insertion



Sample packages - one mask per foil



Sample packages - several masks per foil

## CONDITIONS

Price: 34500 EURO

Terms of delivery: EXW (INCOTERMS 2020)

Date of delivery: 6-8 Weeks - on request

Technical changes are reserved, dimensions and illustrations are subject to change.

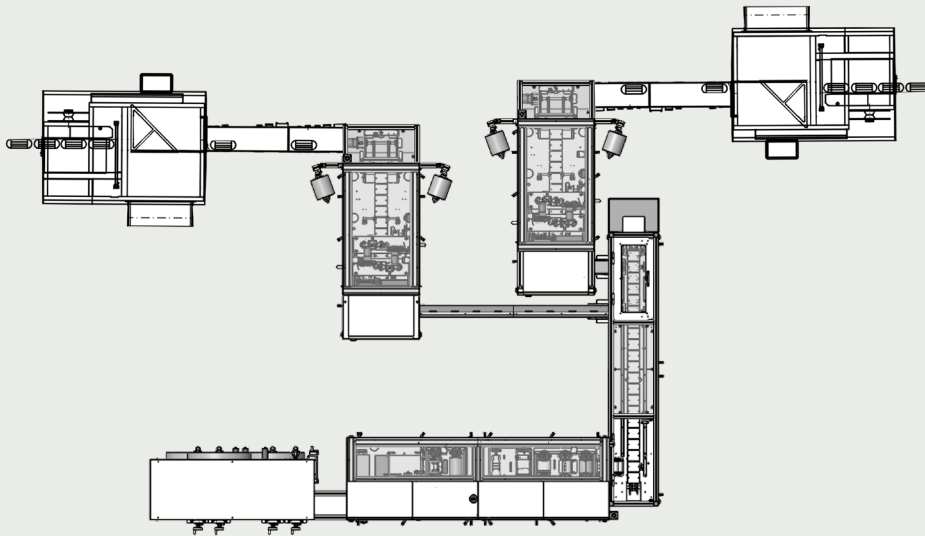
[info@piagroup.com](mailto:info@piagroup.com)

05/2020 V1.0 © PIA Automation

**WE AUTOMATE  
YOUR WORLD**



[WWW.PIAGROUP.COM](http://WWW.PIAGROUP.COM)



## TECHNICAL DATASHEET

# AUTOMATIC FOIL PACKAGING FOR FACE MASKS

The efficient full-automated tubular film packaging machine process by using a forming collar for a three side welded foil packaging of the masks. The single packaging units will be integrated direct at the output of the ear band welding modules and can process single masks up to stacks of 30 masks by working at the same speed as the mask production line.

The packaging process starts by transporting full automated the masks from ear band welding to the stacking unit. Depending on the stack, the number of masks will be displaced above each other through a mechanical funnel or transported single by single. The masks will be scanned to ensure the correct length and transported through forming collar which "lays" the tubular film around the masks.

Afterwards the bag is welded precise in lateral and cross direction and will be transport by another conveyor belt from the system to a carton or KLT

As an option, a label printer can be added per system which displaces a label on the bags.

## TECHNICAL DATAS

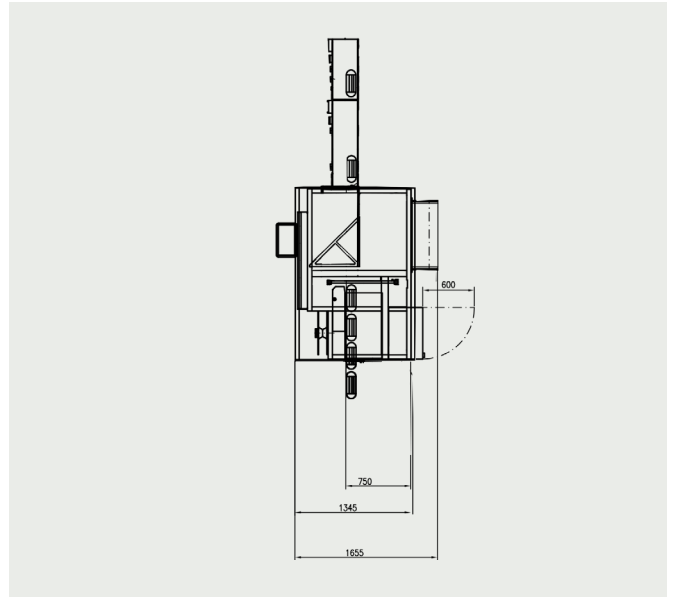
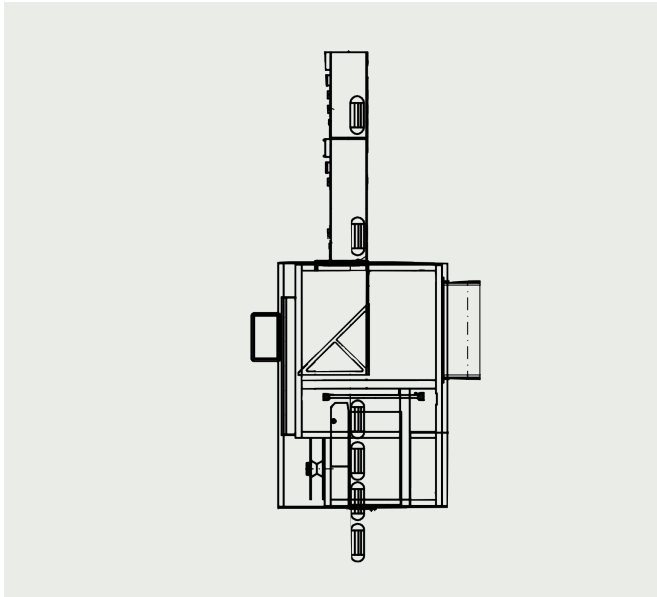
- Packaging speed for the machine up to 80 bags/minute with tubular film without labeling
- Packaging speed for the machine up to 50 bags/minute with tubular film incl. labeling
- Package good height: max. 250 mm
- Package good length: min 75 mm
- Foil material/thickness: PE, OPP, 30 – 60 µm
- Max. diameter foil roll: 400 mm
- Max. foil width: 680 mm
- Label size (lxw): max. 100 x 80 mm
- Easy change of the tubular film roll
- Input and output conveyor belts incl. lateral guidings
- Forming collar adjustable 20 – 400 mm
- Packaged good scan for processing different lengths of packaging goods
- One side continuous lateral welding
- Automated edge trim rewinder
- Control: Siemens S7 incl. touch panel incl. displaying of data
- Manual adjustment for height and width
- Working height: 880 mm +/- 50 mm
- Labeling: cab, type: Hermes Q  
minimum bag length: 230 mm
- Complete layout: 8900 x 4700 mm
- CE certified

## CONNECTIONS

- Copressed air, only with labeling: 6 bar
- Electrical. connection: 400/230 V, 50/60 Hz,
- Electr. connected value: 3k VA



# TECHNICAL SPECIFICATIONS FOIL PACKAGING FOR FACE MASKS



Optional with label and print



Optional with label and print

## CONDITIONS

Terms of delivery: FCA without installation and commissioning

Price for fully automatic foil packaging without label: 185,000 EURO

Price fully automated foil packaging with label: 246,000 EURO

Technical changes are reserved, dimensions and illustrations are subject to change.

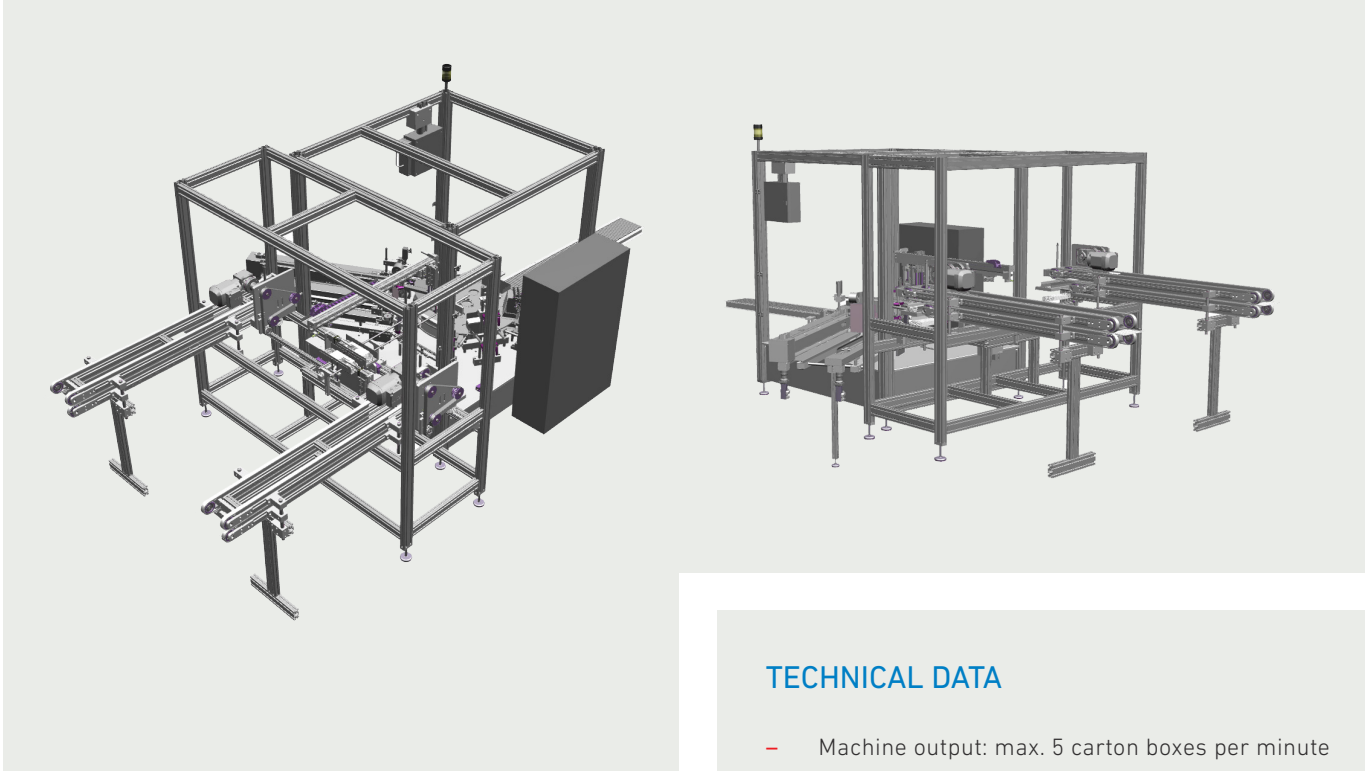
[info@piagroup.com](mailto:info@piagroup.com)

05/2020 V1.0 © PIA Automation

**WE AUTOMATE  
YOUR WORLD**



[WWW.PIAGROUP.COM](http://WWW.PIAGROUP.COM)



## TECHNICAL DATASHEET

# AUTOMATIC FOLDING BOX PACKAGING FOR FACE MASKS

The folding box full automated packaging unit consisting of 6 stations. The produced masks will be carried out of the two ultrasonic welding stations single by single to the stacking unit of the packaging machine via conveyor belt systems. The folding carton are fed in the machine by a magazine and erected.

After stacking the masks from the two feeding units the stacks are transported central above the cartons and fed in by product funnel. Previous closing the ear bands are again pushed into the carton and the carton are closed and as an option printed on the front. The closed folding cartons are pushed out to a roller conveyor which acts as well as buffer.

Accessibility to the ear band refilling by stairs beside module 30.

## TECHNICAL DATA

- Machine output: max. 5 carton boxes per minute
- Roundtable with turntable diameter 800 mm and 6 process stations
- Folding box format: (closed - l<sub>w</sub>xh): 200 x 100 x 100 mm (H min. 55mm)
- Folding cartons with automatic closing bottom and plug cap
- Control: Siemens S7 1500 and Touchpanel TP700
- Optional: Printing of carton front with Videojet M610
- CE certified

## CONNECTIONS

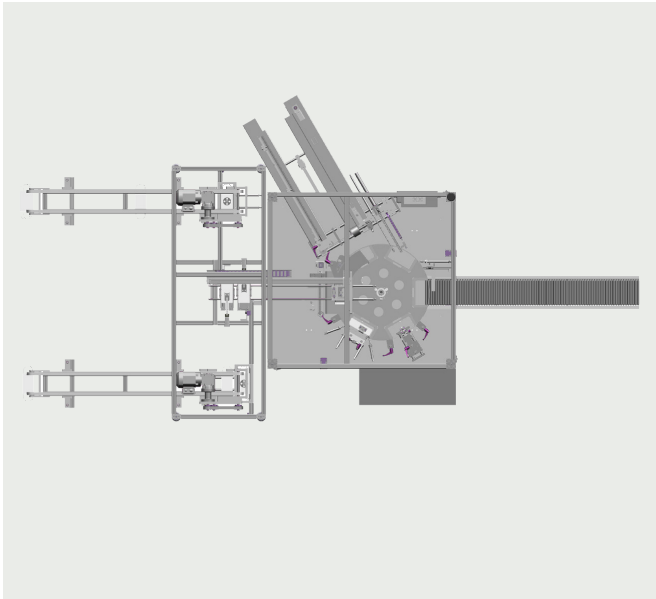
- Copressed air: 6 bar, approx. 300 L/min
- Electrical Connection: 400/230 V, 50/60 Hz.

## DIMENSIONS PACKAGING LINE

- l<sub>w</sub>xh: 5,100 mm x 2,100 mm x 1,100 mm (incl. output approx. 1.500 mm)



# TECHNICAL SPECIFICATIONS FOLDING BOX PACKAGING FOR FACE MASKS



**CONDITIONS**

Price: 215,000 EURO excl. commissioning (depending on installation site)	Date of delivery: approx 12 weeks - on request
Optional print: 20,000 EURO	
Optional further packaging: 112,000 EURO	Date of delivery: on request
Terms of delivery: EXW (INCOTERMS 2020)	

Technical changes are reserved, dimensions and illustrations are subject to change.

info@piagroup.com

05/2020 V1.0 © PIA Automation

**WE AUTOMATE  
YOUR WORLD**



[WWW.PIAGROUP.COM](http://WWW.PIAGROUP.COM)